

Geneva Garage Gear

Installation of Wall Cabinet or Upper Cabinet on "L" Type Slat Wall

Parts Included

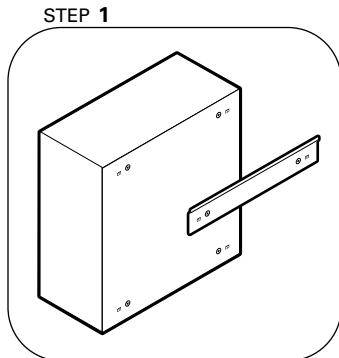
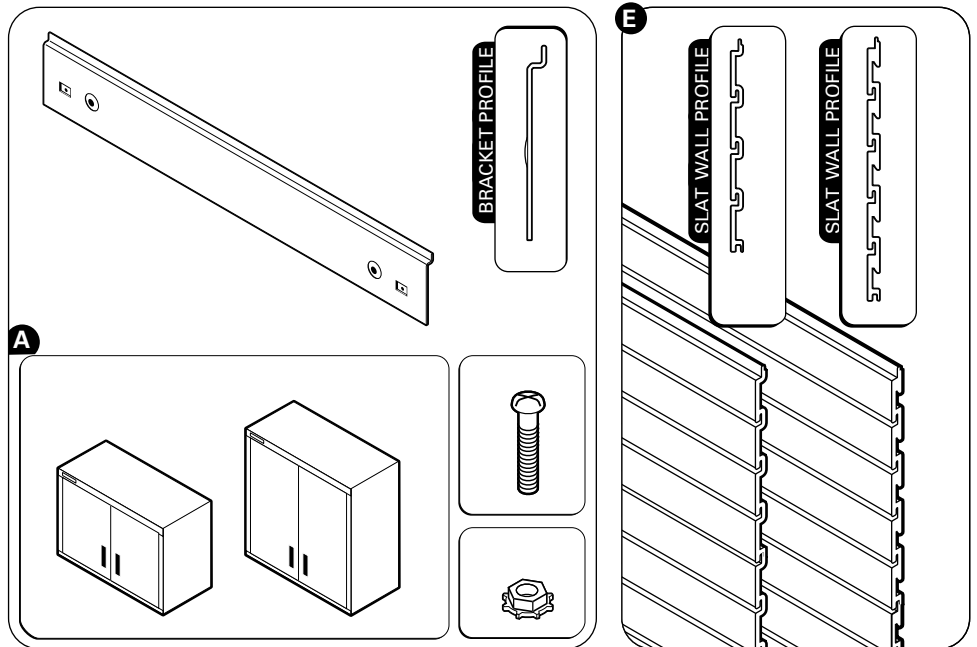
- A. Wall Cabinet or Upper Cabinet
- B. Hanger
- C. 1/4-20 Countersunk Phillips Screws (x4)
- D. 1/4-20 Hex Nuts (x 4)

Parts Not Included

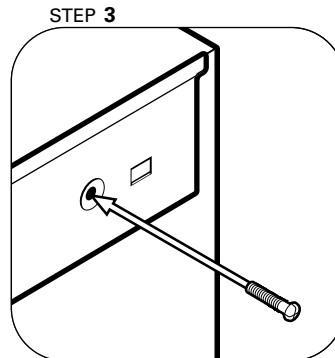
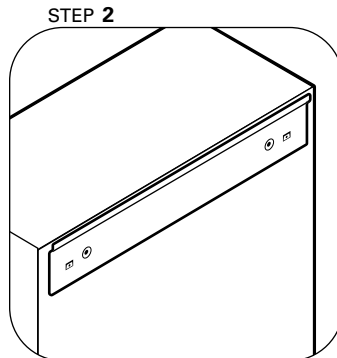
- E. Wall Board

Necessary Tools (not included)

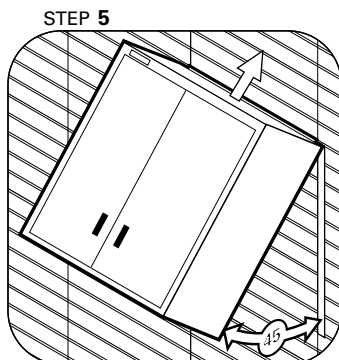
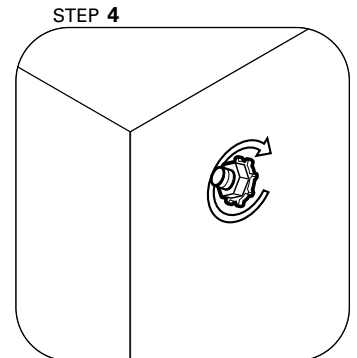
- A. 7/16" Wrench
- B. Phillips Head Screwdriver



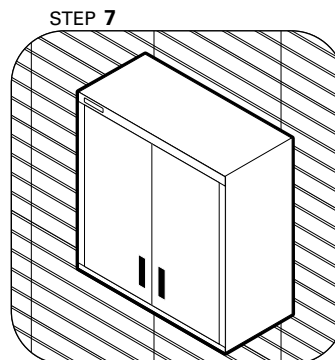
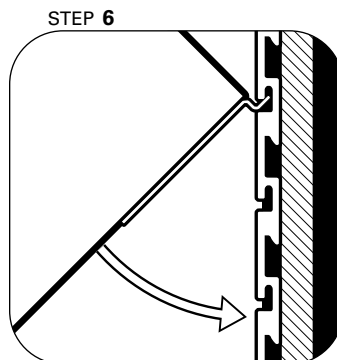
Align Hanger (A) with receiving slots on the back of Cabinet (A). Then snap hanger into position using firm upward pressure.



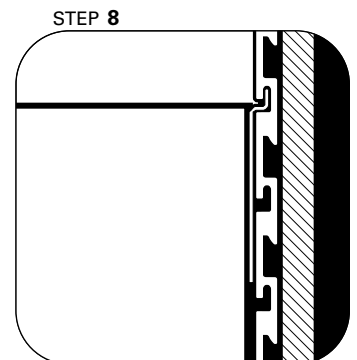
Secure Hanger to Cabinet. Insert Screws (C) and fasten nuts (D) from inside cabinet body.



Hang Cabinet. While holding Cabinet body at a 30 degree angle to wall, fully insert top of hanger into receiving slot on wallboard.



Lower bottom of cabinet until the cabinet hangs flush with wall



Geneva Manufacturing
P.O. Box 620, South Elgin, IL 60177
900 Schneider Drive, South Elgin, IL 60177
Phone (847) 697-1161 Fax (847) 697-1185
Email: info@genevamarfg.com

For additional product information,
find us on the web at:
www.genevagaragegear.com



Risk of back injury!
Use two or more people to move
and assemble this product.